

30 AUGUST 1990

LO10-7360-201-20-3

(Supersedes LO10-7360-201-20-3, 4 Feb. 66)

BAKERY PLANT, TRAILER-MOUNTED, M-1945: DOUGH MIXING AND

MAKEUP OUTFIT

(MOLDER)

REFERENCE: LO10-7360-201-20-1,-2,-4,-5,-6. C9100-IL

Approved for public release; distribution is unlimited.

Intervals are based on normal operation. Reduce to compensate for abnormal operation and severe conditions. During inactive periods, sufficient lubrication must be performed for adequate preservation.

Clean fittings before lubricating.

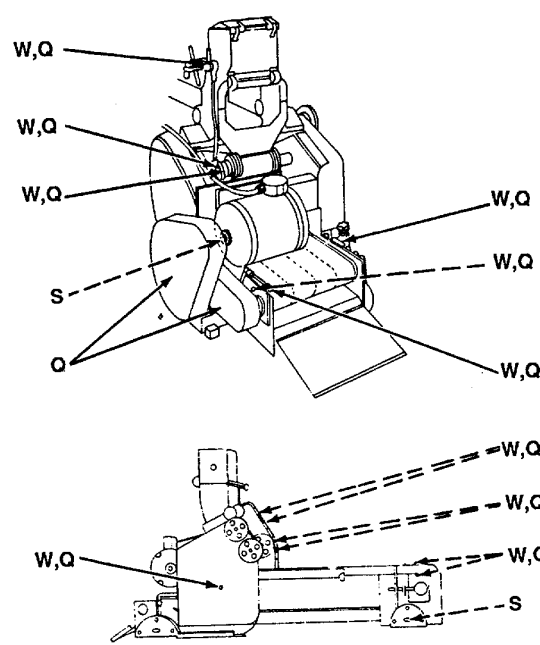
Clean parts with SD (Solvent, drycleaning).

Dry before lubricating.

Broken arrow shafts indicate lubrication points on both sides of the equipment.

Relubricate after washing or fording.

LUBRICANT INTERVAL		INTERVAL LUBRICANT
Duster Regulating Lever (See Note 4)	OE	
Upper Rear Sheeting Roll Eccentric (See Note 5)	GAA	GAA Main Drive Shaft Bearing (See Note 5)
Eccentric Shaft Idler Sprocket with Bushing (See Note 5)	GAA	GAA Conveyor Pulley Shaft Bearing (See Note 5)
Motor Bearing Recesses (See Note 2)	GAA	GAA Main Drive Shaft Bearing (See Note 5)
Drive Chains (See Note 1)	OE	GAA Upper Sheeting Roll Shaft Bearings (See Note 5)
		GAA Lower Sheeting Roll Shaft Bearings (See Note 5)
		GAA Conveyor Pulley Shaft Bearings (See Note 5)
Front Sheeting Roll Idler Sprocket with Bushing (See Note 5)		GAA Worm Gear Bearings (See Note 3)



-KEY-

LUBRICANTS	EXPECTED TEMPERATURES	INTERVAL
	ALL TEMPERATURES	
OE - LUBRICATING OIL, Internal Combustion Engine	OE 30 OR 9250	W - Weekly (See notes 4 and 5)
Drive Chain	OE 10 OR 9110	M-Monthly Q -Quarterly S -Semi-annually
GAA - GREASE, Automotive and Artillery	GAA	A-Annually

NOTES:

1. DRIVE CHAINS. Quarterly clean, coat sparingly with OE-10, and wipe oil from outer surface.
2. MOTOR BEARING RECESSES. Semiannually add GAA grease sparingly to seal out moisture.
3. WORM GEAR BEARINGS. Semiannually remove housing, clean, and repack with GAA.
4. OIL CAN POINTS. Weekly when unit is in continuous use clean and lightly lubricate duster regulating lever with OE. Lubricate quarterly when use is less than once every 7 days.

5. LUBRICATE. Once every 5 days when unit is in continuous use (and after operation). Lubricate quarterly when use is less than once every 7 days.

Copy of this Lubrication Order will remain with the equipment at all times; instructions contained herein are mandatory.

By Order of the Secretary of the Army:

CARL E. VUONO
General, United States Army
Chief of Staff


Official:

THOMAS F. SIKORA
Brigadier General, United States Army
The Adjutant General

DISTRIBUTION:

To be distributed in accordance with DA Form 12-25E, (Qty rqr blk no. 4071).

RECOMMENDED CHANGES TO EQUIPMENT TECHNICAL PUBLICATIONS

 <div style="border: 1px solid black; border-radius: 15px; padding: 5px; margin: 10px auto; width: 80%; text-align: center;"> <p><i>THEN...JOT DOWN THE DOPE ABOUT IT ON THIS FORM. CAREFULLY TEAR IT OUT, FOLD IT AND DROP IT IN THE MAIL.</i></p> </div>		SOMETHING WRONG WITH PUBLICATION		
		FROM: (PRINT YOUR UNIT'S COMPLETE ADDRESS)		
PUBLICATION NUMBER		DATE SENT		
PUBLICATION DATE		PUBLICATION TITLE		
BE EXACT PIN-POINT WHERE IT IS				
PAGE NO.	PARA-GRAPH	FIGURE NO.	TABLE NO.	<p style="text-align: center; font-weight: bold;">IN THIS SPACE, TELL WHAT IS WRONG AND WHAT SHOULD BE DONE ABOUT IT.</p>
PRINTED NAME, GRADE OR TITLE AND TELEPHONE NUMBER			SIGN HERE	

